

NAME: LED Corn Light

Advantage

- UL、CUL certificate
- E26 lamp base
- Warm / Natural / Cool / Cold white
- 360 degree lighting, high CRI.
- IP64 Waterproof Rating
- Big heat sink
- Can be with clear or frosted cover.
- Internal driver, input voltage AC100-277V.
- New style and high efficient wide-range input.
- Long lifespan and good heat dissipation.
- Direct replacement for Metal Halide, Easy Installation.
- Fits many different fixtures to replace traditional lamps.



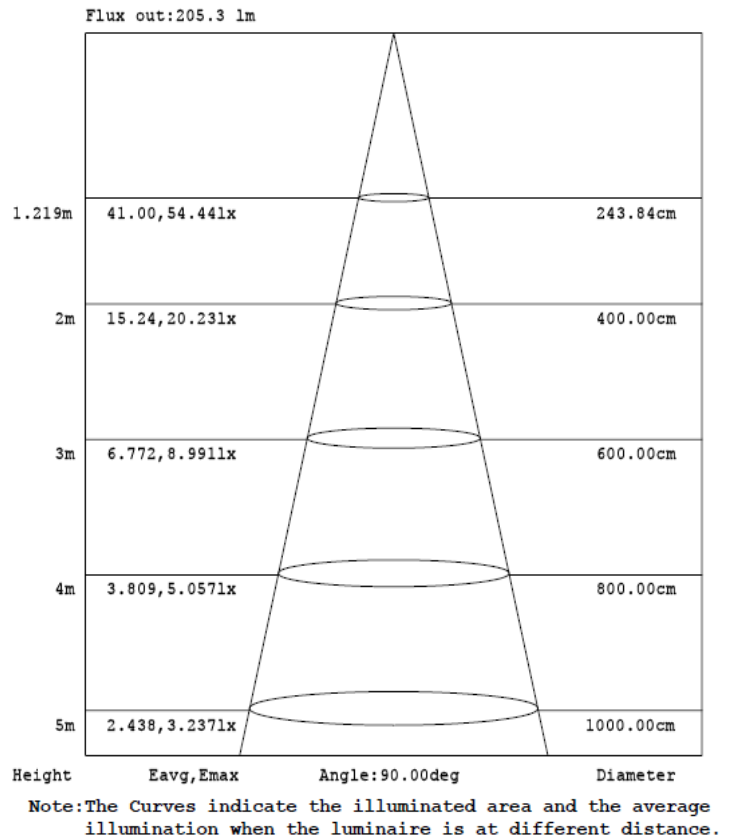
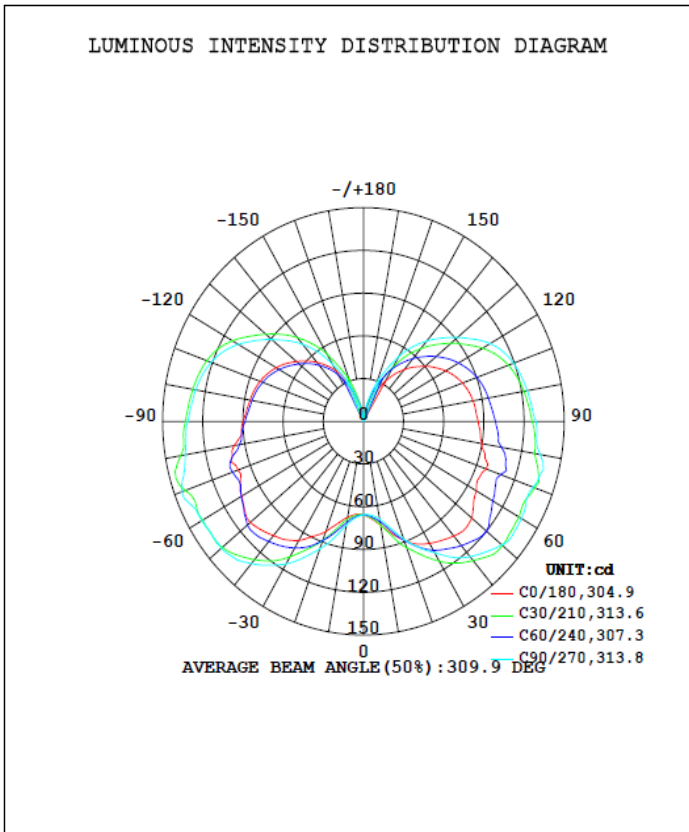
Application

Widely used in supermarket, warehouse, garage, home, office, hotel, hospital, school, street, garden etc.

TECHNICAL DATA SHEET

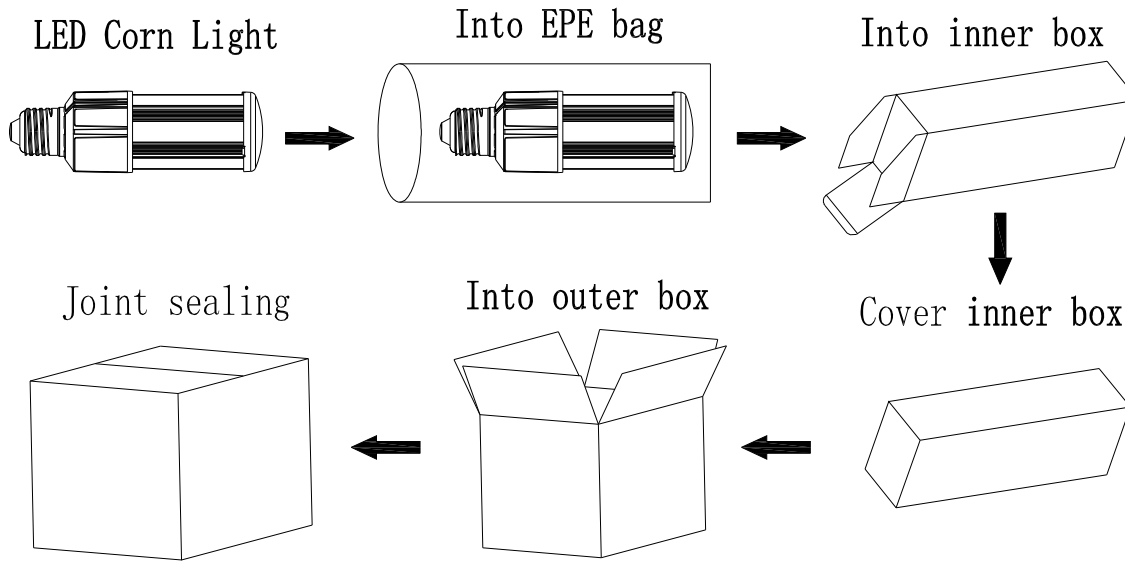
Remark: The testing data comes directly from the product test.

DATA OF LAMP		PHOTOMETRIC DATA Eff: 113.56 lm/W			
MODEL		I _{max} (cd)	149.9	S/MH (C0/180)	2.23
NOMINAL POWER (W)	12	LOR (%)	100.0	S/MH (C90/270)	2.52
RATED VOLTAGE (V)	230	TOTAL FLUX (lm)	1322.1	η UP, DN (C0-180)	21.1, 28.5
NOMINAL FLUX (lm)	1322.1	CIE CLASS	DIFFUSE	η UP, DN (C180-360)	21.1, 29.3
LAMPS INSIDE	1	η up (%)	42.2	CIBSE SHR NOM	2.00
TEST VOLTAGE (V)	230	η down (%)	57.8	CIBSE SHR MAX	0.00



TECHNICAL DATA SHEET

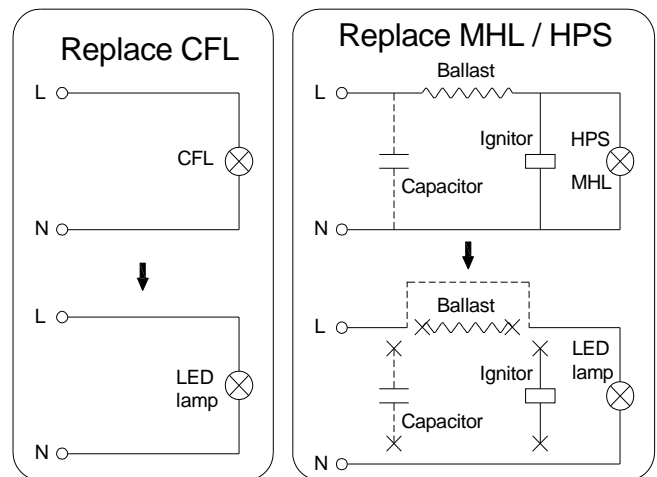
Package



	Size	Qty/ Carton	Net Weight/ Carton	Gross Weight/ Carton
Inner box	165*45*45 MM	1 PC	0.14 KG	0.16 KG
Outer box	345*240*245 MM	50 PCS	7.0 KG	8.8 KG

Notice For User

- Please turn off power before install or change assembly parts.
- The input voltage and lamps should be matched, after connecting the power line, please make sure the wiring section is insulated.
- Make sure to remove or bypass the electronic ballast in the fixtures before install the lamps.
- Suitable for damp locations. Do not use with dimmers.
- Suitable for use in enclosed luminaires, min. lamp compartment dimensions: 300*190*190MM.
- No-professionals, must not install and disassemble the lamps.



Trouble Shootings

Troubles	Check points
Flickering of the lamps	Turn off the power and turn on again in 3 minutes. If same phenomena occur, then call agencies
Out of working	Please check the connection