



NAME: LED Wall Pack Light

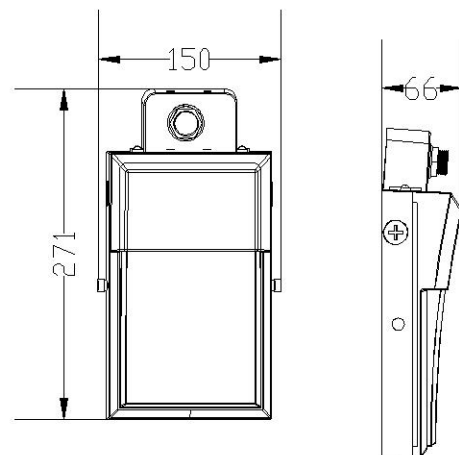
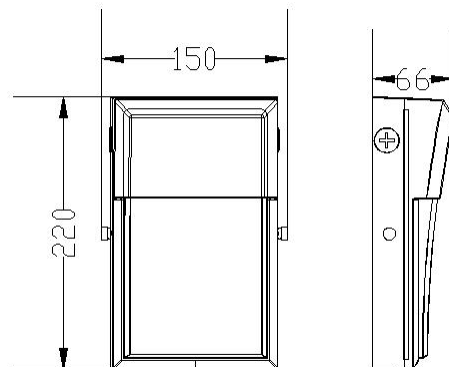


Advantage:

- UL cUL certificate
- IP65 Internal driver,
Input voltage 100-277VAC
- No UV or IR in the beam
- Easy to install and operate
- Energy saving, long lifespan
- Instant start, NO humming
- Green and eco-friendly without mercury.

Application:

- ◆ entrance lighting, courtyard lighting
- ◆ Industrial lighting, Outdoor landscape lighting;
- ◆ Building, The hotel;
- ◆ Wall lighting area and so on.



TECHNICAL DATA SHEET

Product Specifications

Product name	LED Wall Pack Light	
Dimension	220*150*66 mm	271*150*66mm

Technical Characteristic

Color temperature	2700-6500K	
CRI	>80	
Lumen	1100-1200LM	
Input Power	13W	
Viewing Angle	110°	
Input Voltage	100-277VAC	50/60Hz
Driver model	China Brand Driver	
PFC	>0.88	
Waterproof Rating	IP65	

Materials

LED Brand	Epistar	
LED Type	2835 (0.2W)	
LED QTY	77 PCS	
Housing	Aluminum	
Optional Accessory	Photocell	
Housing color	Black	

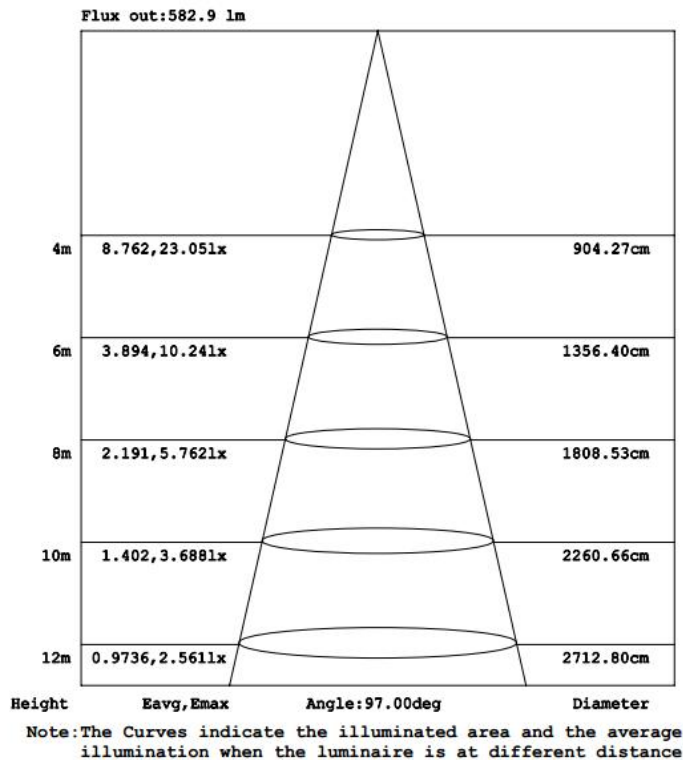
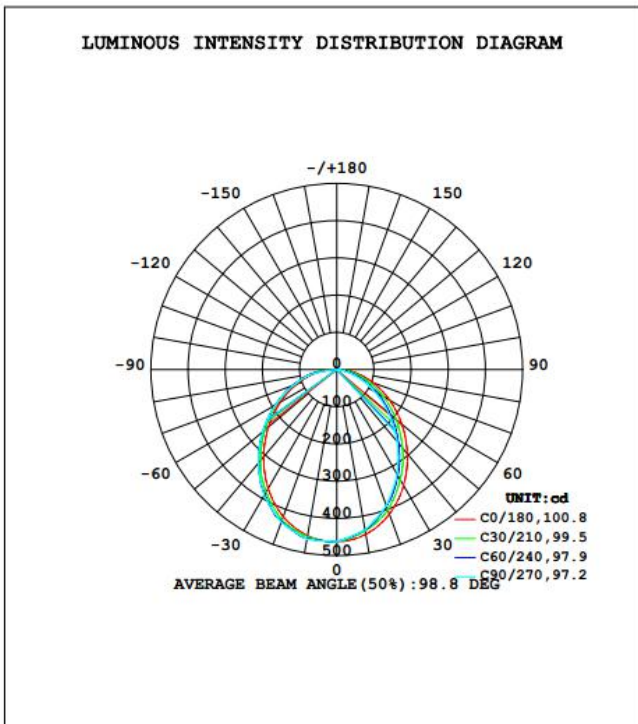
Others

Operating Temperature	-20℃ TO 45℃	
Operating Humidity	20%-90% RH	
Storage Temperature	-30℃ TO 80℃	
Storage Humidity	10%-95%	
Application	Indoor / Outdoor	
Safety Certification	UL、cUL	
Warranty Time	5 Years	

TECHNICAL DATA SHEET

Light Distribution Testing Parameters

DATA OF LAMP		PHOTOMETRIC DATA			
MODEL		Imax (cd)	463.2	S/MH (C0/180)	1.19
NOMINAL POWER (W)	13	LOR (%)	100.0	S/MH (C90/270)	1.25
RATED VOLTAGE (V)	120	TOTAL FLUX (lm)	1155.7	η UP, DN (C0-180)	0.0, 45.2
NOMINAL FLUX (lm)	1155.7	CIE CLASS	DIRECT	η UP, DN (C180-360)	0.0, 54.8
LAMPS INSIDE	1	η up (%)	0.0	CIBSE SHR NOM	1.25
TEST VOLTAGE (V)	120	η down (%)	100.0	CIBSE SHR MAX	1.30

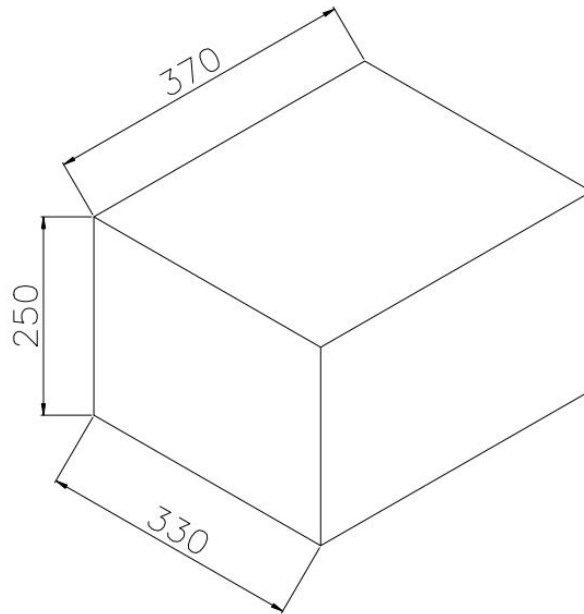


TECHNICAL DATA SHEET

Package

Lamps Net Weight: 0.76kg / pcs

	Size	Qty/Carton	Weight/Carton
Outer box	370 x 330 x 250 mm	10	10 kg



Notice For User

- ◆ Please turn off power before install or change assembly parts.
- ◆ The input voltage and lamps should be matched, after connecting the power line, Please make sure the wiring section is insulated.
- ◆ No-professionals, must not install and disassemble the lamps.

Trouble Shootings

Troubles	Check points
Flickering of the light	Turn off the power and turn on again in 3 minutes. If same phenomena occur, then call agencies
Out of working	Please check the connection