



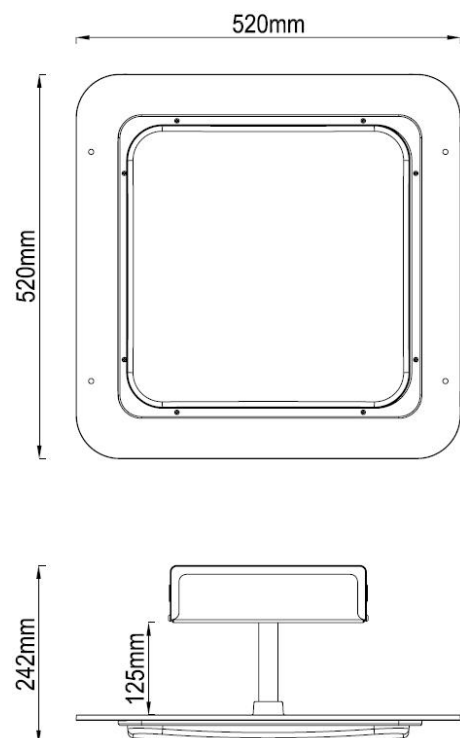
NAME: LED Canopy Light

Advantage:

- UL cUL DLC certificate
- High CRI
- Mean Well IP65 driver, Input voltage 100-277Vac
- No UV or IR in the beam
- Easy to install and operate
- Energy saving, Long lifespan
- Light is soft and uniform, Safe to eyes
- Instant start, NO flickering, NO humming
- Green and eco-friendly without mercury.

Application:

- ◆ Gas station
- ◆ Service station, Toll station.



TECHNICAL DATA SHEET

Technical Characteristic

Color temperature	4000K	4500K	5000K	5700K
CRI	>80			
Lumen	21000 - 23500LM			
Input Power	150W			
Viewing Angle	110°			
Input Voltage	100-277Vac 50/60Hz			
Driver model	CLG-150-48A (Mean Well Driver)			
PFC	>0.9			
Waterproof Rating	WET (IP65)			

Materials

LED Type	2835 (0.2W)
LED QTY	900 PCS
Housing	Aluminum
Housing color	White
Cover	Frosted lens

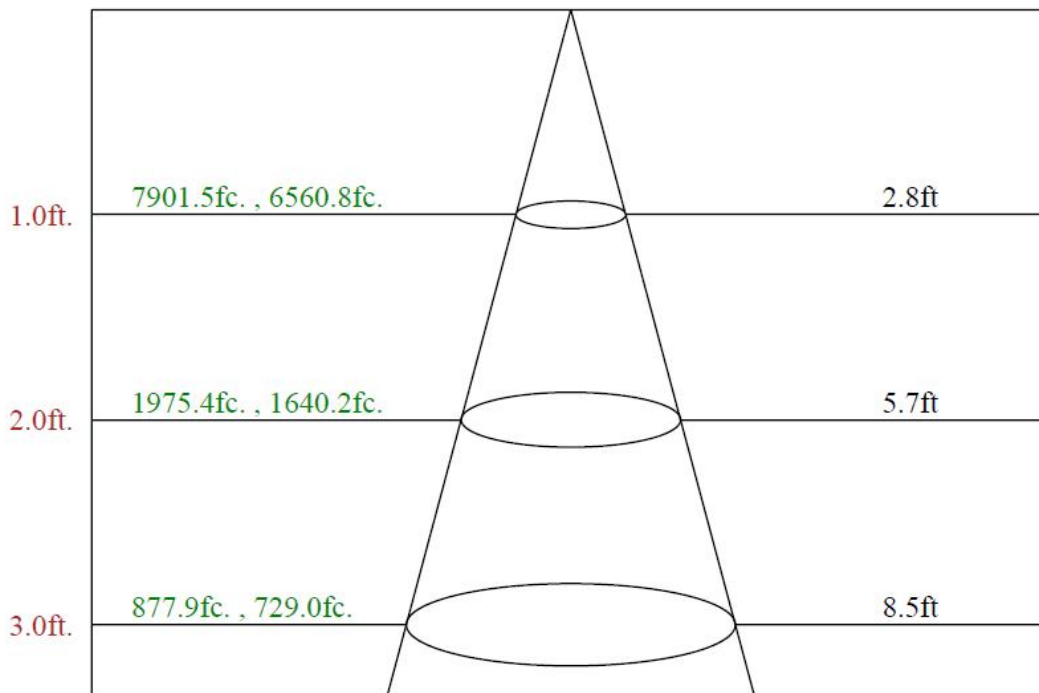
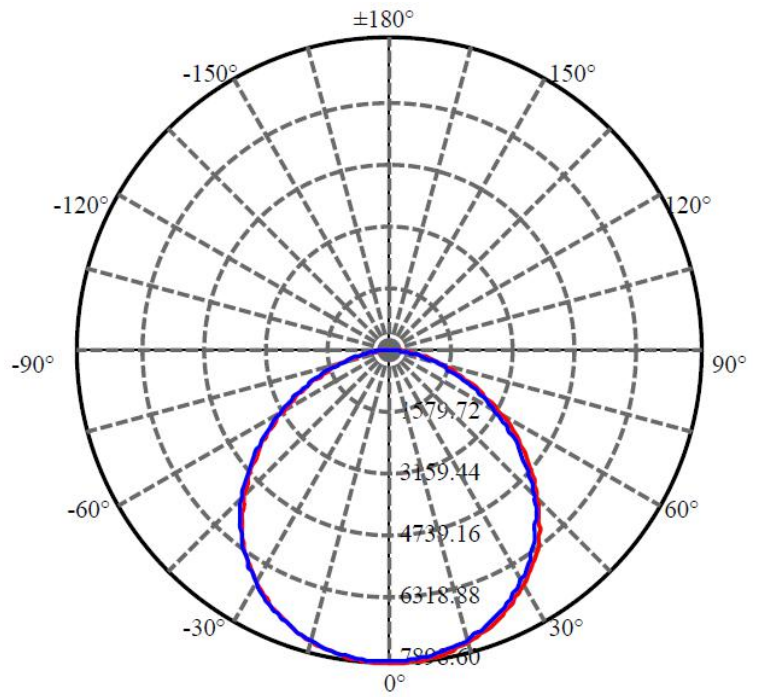
Others

Operating Temperature	-20°C TO 45°C
Operating Humidity	20%-90% RH
Storage Temperature	-30°C TO 80°C
Storage Humidity	10%-95%
Application	Outdoor / Indoor
Safety Certification	UL、cUL、DLC
Warranty Time	5 Years

TECHNICAL DATA SHEET

Light Distribution Testing Parameters

Lumens(lm): 21906.47
 Efficiency(%): 0.00%
 Lumens(lm)/Power(W): 146.74
 Central intensity(cd): 7898.604
 Maximum intensity(cd): 7898.604
 Angle of maximum intensity: C=0.0 γ =0.0
 Beam Angle(50%Imax): [C0/180]Total=109.4
 [C90/270]Total=108.9
 Field angle(10%Imax): [C0/180]Total=159.2
 [C90/270]Total=158.9
 Maximum s/h(1/2): C0_180=1.27 C90_270=1.26
 Maximum s/h(1/4): C0_180=1.36 C90_270=1.37
 Up flux rate of lamp(%): 0.00%
 Down flux rate of lamp(%): 0.00%
 Up flux rate of LUM(%): 0.24%
 Down flux rate of LUM(%): 99.74%
 CIE Type : Direct lighting
 Output flux ratio in π solid angle : 81.012%



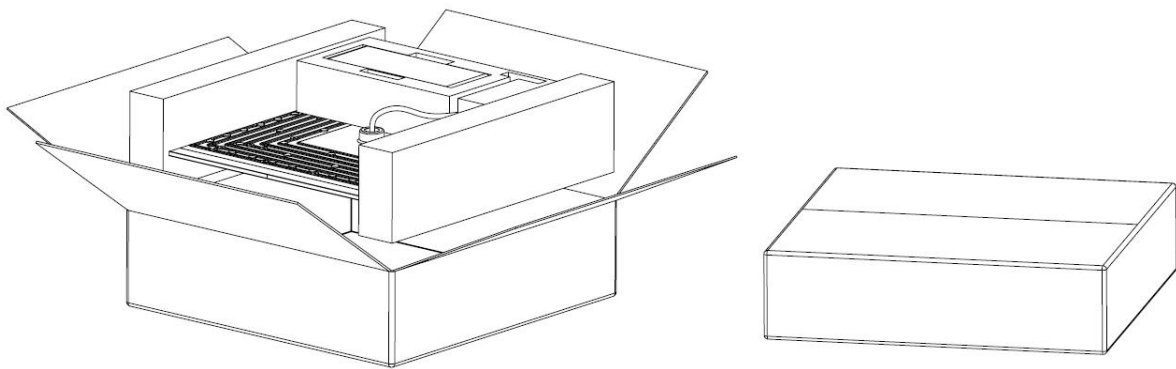
Max , Ave Beam angle of C0 plane 109.42

TECHNICAL DATA SHEET

Package

Lamps Net Weight: 9 Kg/pc

	Size	Qty/ Carton	Weight/ Carton
Outer box	560 x 560 x 160mm	1	10.5 KG



Notice For User

- ◆ Please turn off power before install or change assembly parts.
- ◆ The input voltage and lamps should be matched, after connecting the power line, Please make sure the wiring section is insulated.
- ◆ No-professionals, must not install and disassemble the lamps.

Trouble Shootings

Troubles	Check points
Flickering of the light	Turn off the power and turn on again in 3 minutes. If same phenomena occur, then call agencies
Out of working	Please check the connection