



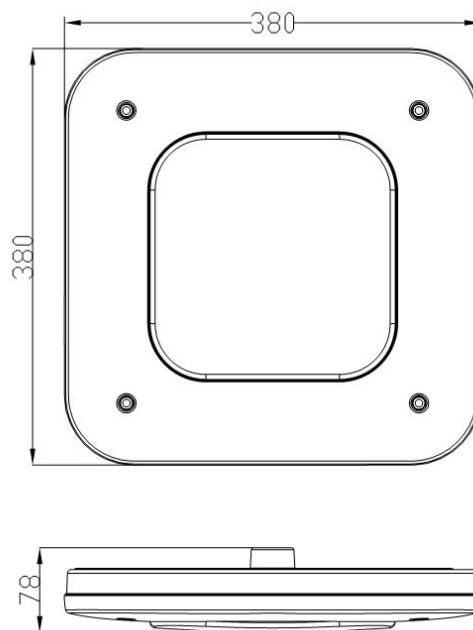
NAME: LED Canopy Light

Advantage:

- PHILIPS Chip, high CRI
- Mean Well IP65 driver, input voltage 100-277VAC
- No UV or IR in the beam
- Easy to install and operate
- Energy saving, long lifespan
- Light is soft and uniform, safe to eyes
- Instant start, NO flickering, NO humming
- Green and eco-friendly without mercury.

Application:

- ◆ Gas station



TECHNICAL DATA SHEET

Product Specifications

Product name	LED Canopy Light
Light Type	Canopy Light
Dimension	380*380*78mm

Technical Characteristic

Color temperature	4000K	5000K	5700K
CRI	>70		
Lumen	15000-16500LM		
Input Power	150W		
Viewing Angle	110 Degree		
Input Voltage	AC100-277V 50/60Hz		
Driver model	CLG-150-48A(Mean Well Driver)		
PFC	>0.9		
Waterproof Rating	IP65		

Materials

LED Brand	PHILIPS
LED Type	3030, 1.5W
LED QTY	182 PCS
Housing	Aluminum
Housing color	White

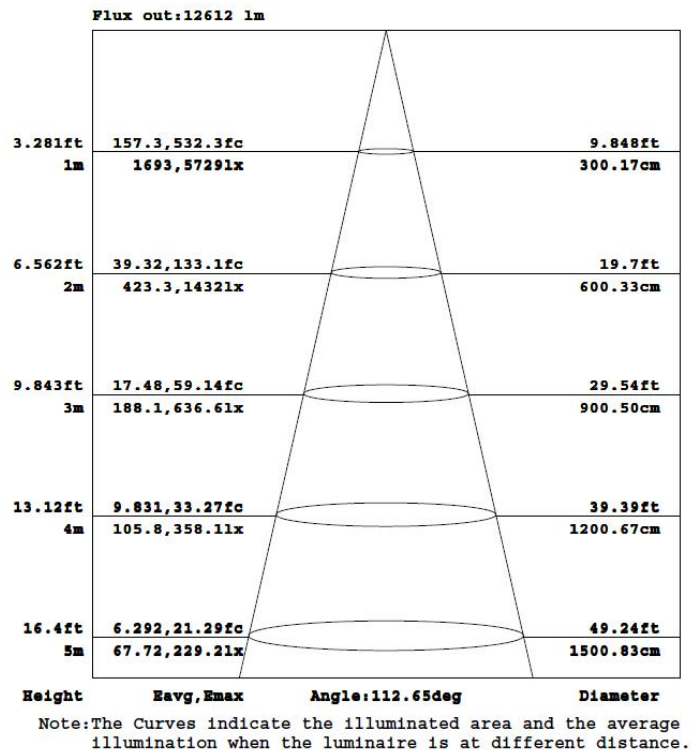
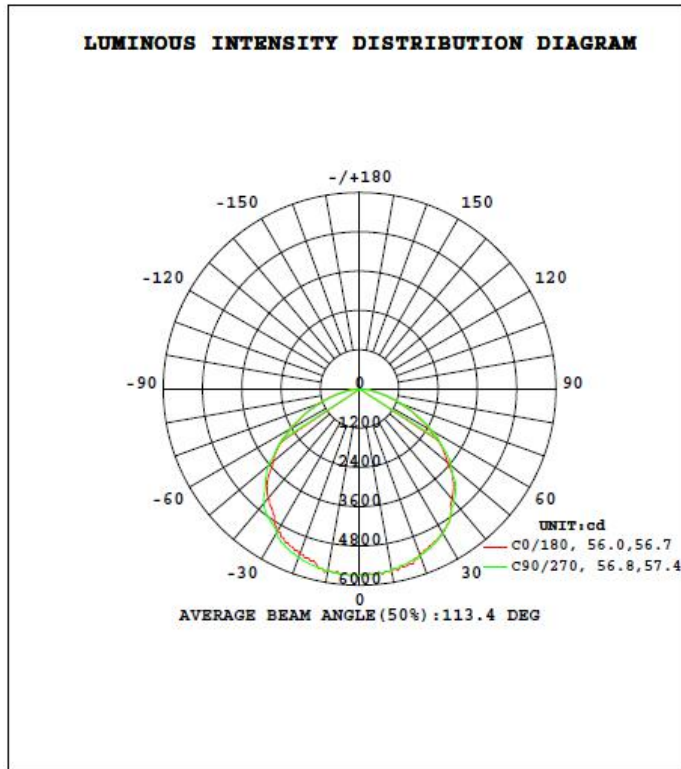
Others

Operating Temperature	-20℃ TO 45℃
Operating Humidity	20%-90% RH
Storage Temperature	-30℃ TO 80℃
Storage Humidity	10%-95%
Application	Outdoor
Safety Certification	UL、cUL
Warranty Time	5 Years

TECHNICAL DATA SHEET

Light Distribution Testing Parameters

DATA OF LAMP		PHOTOMETRIC DATA Eff: 106.97 lm/W			
MODEL		I _{max} (cd)	5731	S/MH (C0/180)	1.30
NOMINAL POWER (W)	150	LOR (%)	100.0	S/MH (C90/270)	1.32
RATED VOLTAGE (V)	120	TOTAL FLUX (lm)	16435	η UP, DN (C0-180)	0.1, 50.2
NOMINAL FLUX (lm)	16434.8	CIE CLASS	DIRECT	η UP, DN (C180-360)	0.1, 49.6
LAMPS INSIDE	1	η up (%)	0.2	CIBSE SHR NOM	1.25
TEST VOLTAGE (V)	120.0	η down (%)	99.8	CIBSE SHR MAX	1.35

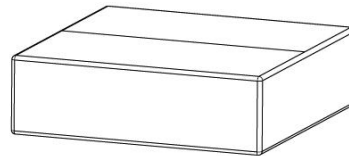
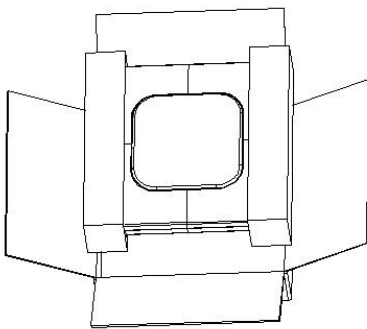


TECHNICAL DATA SHEET

Package

Lamps Net Weight: **6.3Kg/pcs**

	Size	Qty/Carton	Weight/Carton
Outer box	425*420*120mm	1	7.2 kg



Notice For User

- ◆ Please turn off power before install or change assembly parts.
- ◆ The input voltage and lamps should be matched, after connecting the power line, Please make sure the wiring section is insulated.
- ◆ No-professionals, must not install and disassemble the lamps.

Trouble Shootings

Troubles	Check points
Flickering of the light	Turn off the power and turn on again in 3 minutes. If same phenomena occur, then call agencies
Out of working	Please check the connection