

NAME: LED ShoeBox Light

- 1: ADJUSTABLE FITTER MOUNTING
- 2: DIRECT MOUNTING
- 3: YOKE MOUNTING

Advantage:

- UL cUL certificate
- PHILIPS Chip, high CRI
- Mean Well IP65 driver, input voltage 100-277VAC
- No UV or IR in the beam
- Easy to install and operate
- Energy saving, long lifespan
- Light is soft and uniform, safe to eyes
- Instant start, NO flickering, NO humming
- Green and eco-friendly without mercury.

Application:

- 1. Outdoor basketball court, tennis court.
- 2. Badminton court, the football field.
- 3. The school playground, stadium.
- 4. Community leisure entertainment plaza, road lamp etc.

TECHNICAL DATA SHEET

Product Specifications

Product name	LED Shoe Box Light		
Light Type	Shoe Box Light		
Dimension	558*405*116mm	405*576.7*117mm	405*514.7*120.3mm

Technical Characteristic

Color temperature	4000K	5000K	5700K
CRI	>70		
Lumen	18750-19500LM		
Input Power	150W		
Viewing Angle	150*85 Degree (Type III)		
Input Voltage	100-277V 50/60Hz		
Driver model	HLG-150H-48A (Mean Well Driver)		
PFC	>0.9		
Waterproof Rating	IP65		

Materials

LED Brand	PHILIPS
LED Type	3030, 1.5W
LED QTY	210
Housing	Magnesium + Aluminum
Housing color	Black
Operating Temperature	-20°C TO 45°C
Operating Humidity	20%-90% RH
Storage Temperature	-30°C TO 80°C

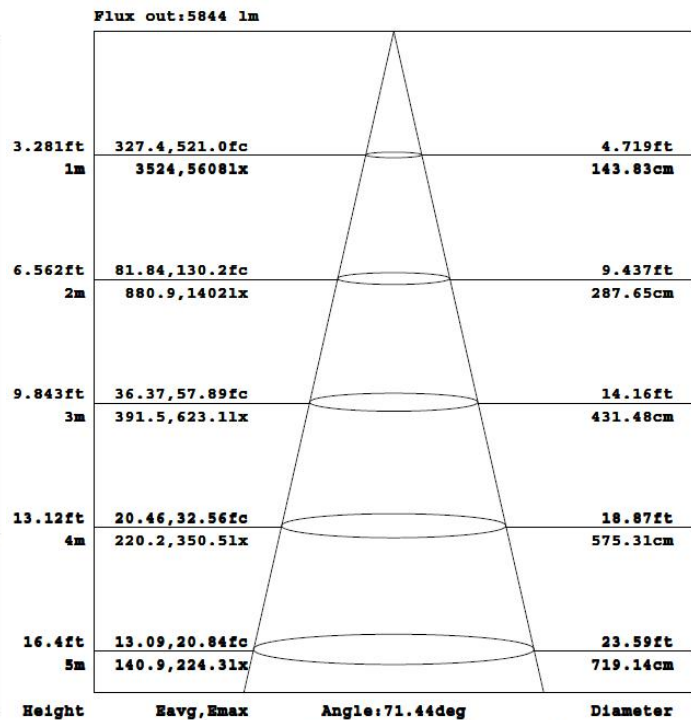
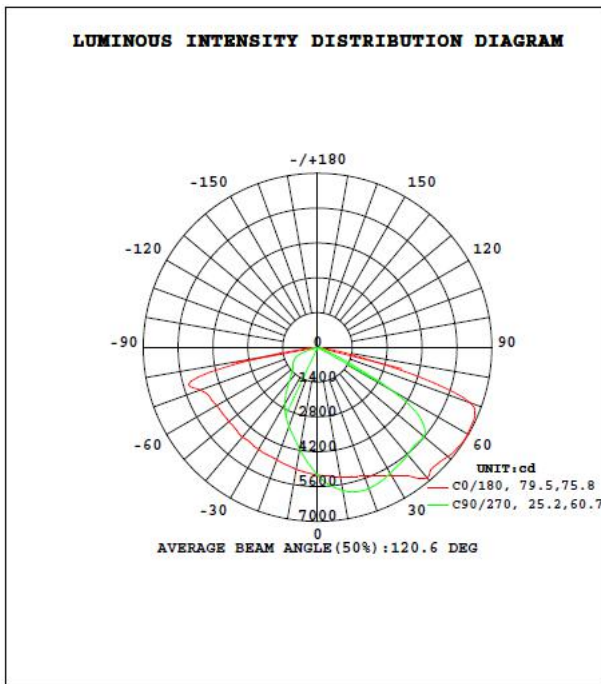
Others

Storage Humidity	10%-95%
Application	Outdoor
Safety Certification	UL、cUL
Warranty Time	5 Years

TECHNICAL DATA SHEET

Light Distribution Testing Parameters

DATA OF LAMP		PHOTOMETRIC DATA Eff: 138.37 lm/W			
MODEL		I _{max} (cd)	9265	S/MH(C0/180)	1.41
NOMINAL POWER (W)	150	LOR (%)	100.0	S/MH(C90/270)	0.82
RATED VOLTAGE (V)	120	TOTAL FLUX (lm)	20914	η UP, DN (C0-180)	0.1, 68.3
NOMINAL FLUX (lm)	20914.5	CIE CLASS	DIRECT	η UP, DN (C180-360)	0.1, 31.5
LAMPS INSIDE	1	η up (%)	0.2	CIBSE SHR NOM	1.50
TEST VOLTAGE (V)	120.0	η down (%)	99.8	CIBSE SHR MAX	1.55



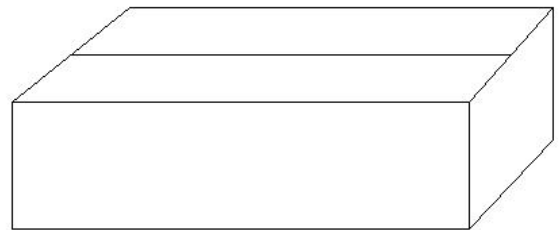
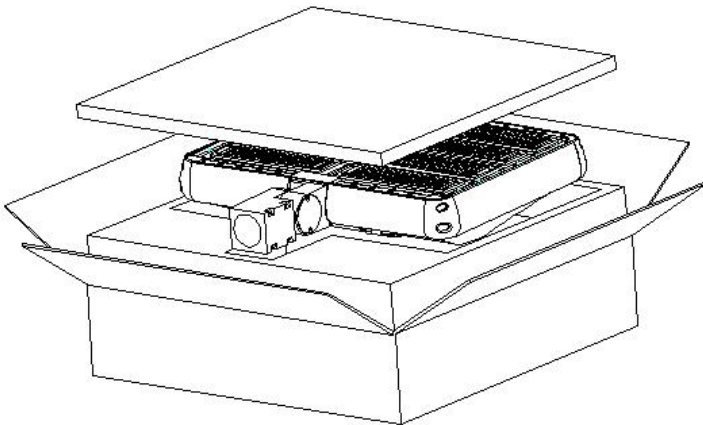
Note: The Curves indicate the illuminated area and the average illumination when the luminaire is at different distance.

TECHNICAL DATA SHEET

Package

Lamps Net Weight: 9.5Kg/pcs

	Size	Qty/Carton	Weight/Carton
Outer box	630*475*185mm	1	12kg



Notice For User

- ◆ Please turn off power before install or change assembly parts.
- ◆ The input voltage and lamps should be matched, after connecting the power line, Please make sure the wiring section is insulated.
- ◆ No-professionals, must not install and disassemble the lamps.

Trouble Shootings

Troubles	Check points
Flickering of the light	Turn off the power and turn on again in 3 minutes. If same phenomena occur, then call agencies
Out of working	Please check the connection